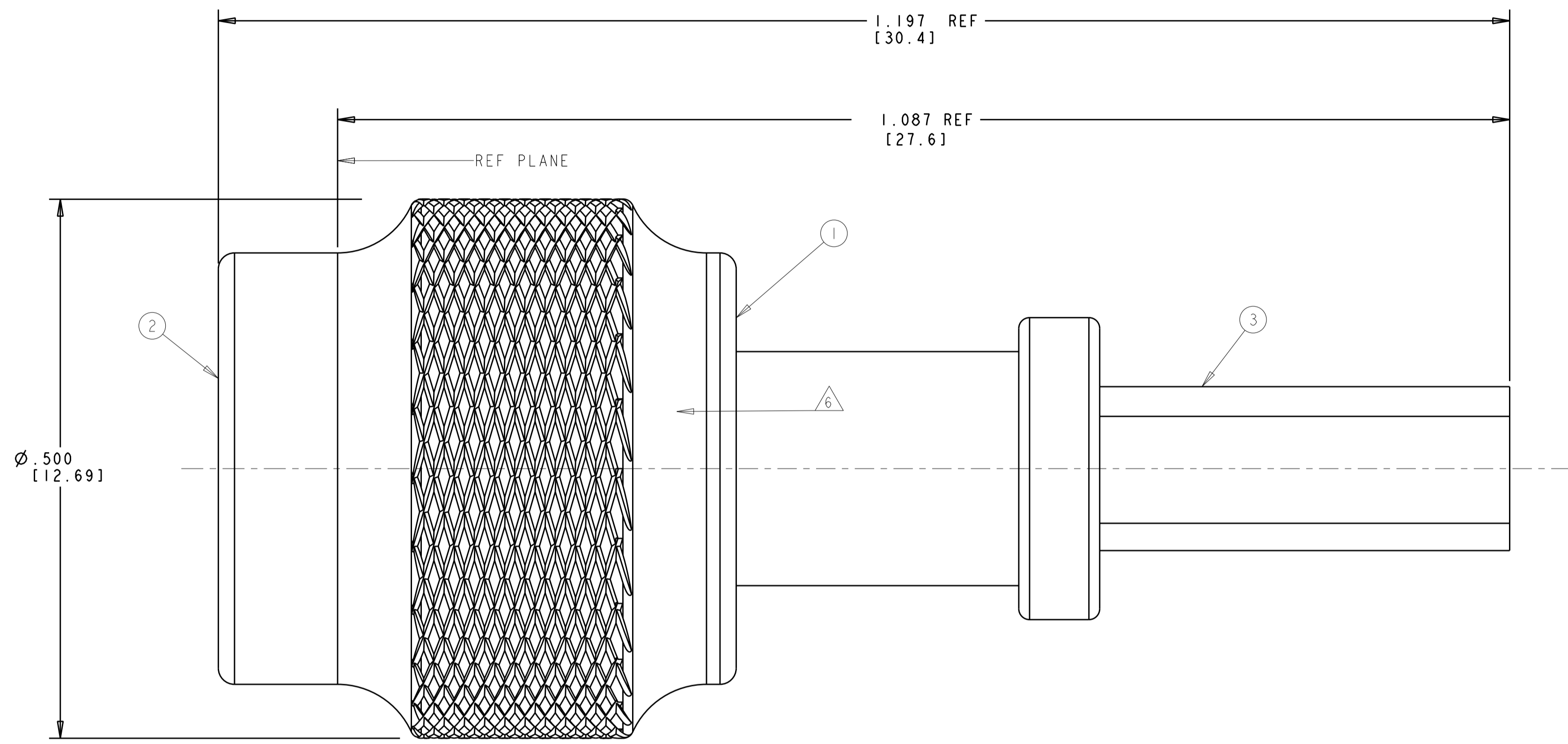


THIS DRAWING IS UNPUBLISHED. RELEASED FOR PUBLICATION 20
 © COPYRIGHT 20 BY TYCO ELECTRONICS CORPORATION. ALL RIGHTS RESERVED.

LOC	DIST	REVISIONS			
P	LTR	DESCRIPTION	DATE	DWN	APVD
AJ	00	A	RELEASED	01MAY2007	DW KW



1. DESIGNED FOR USE WITH RG316 OR EQUIV CABLES
 2. ITEMS PACKAGED UNASSEMBLED.
 3. SEE SEPARATE CUSTOMER DRAWINGS FOR ITEM DETAILS.
 4. SEE INSTRUCTION SHEET 408-10144 FOR CABLE TERMINATION DETAILS.
 5. SEE SHEET 2 FOR MATING SMA JACK REQUIREMENTS.
- △ MATE AND LOCK CONNECTOR BY SLIDING SLEEVE IN DIRECTION INDICATED.

1403102-5	1274882-2	1274955-1	1408541-1
③ FERRULE	② CONTACT	① PLUG ASSY	PART NUMBER

<small>THIS DRAWING IS A CONTROLLED DOCUMENT FOR TYCO ELECTRONICS CORPORATION. IT IS SUBJECT TO CHANGE AND THE CONTROLLING ENGINEERING ORGANIZATION SHOULD BE CONTACTED FOR THE LATEST REVISION.</small>		DWN D. WALLACE 01MAY2007 CHK K. WEIDNER 01MAY2007 APVD K. WEIDNER 01MAY2007	Tyco Electronics Harrisburg, PA 17105-3608
DIMENSIONS: INCHES [mm]	TOLERANCES UNLESS OTHERWISE SPECIFIED: 0 PLC ± 1 PLC ± 2 PLC ± 3 PLC ±.010 [.25] 4 PLC ± ANGLES ±° FINISH	PRODUCT SPEC 108-2268 APPLICATION SPEC	NAME SMA LOCKING PUSH ON CABLE PLUG KIT
MATERIAL		WEIGHT	SIZE CAGE CODE DRAWING NO RESTRICTED TO
			A200779 C-1408541 -
CUSTOMER DRAWING		SCALE 12:1	SHEET 1 OF 2 REV A

4

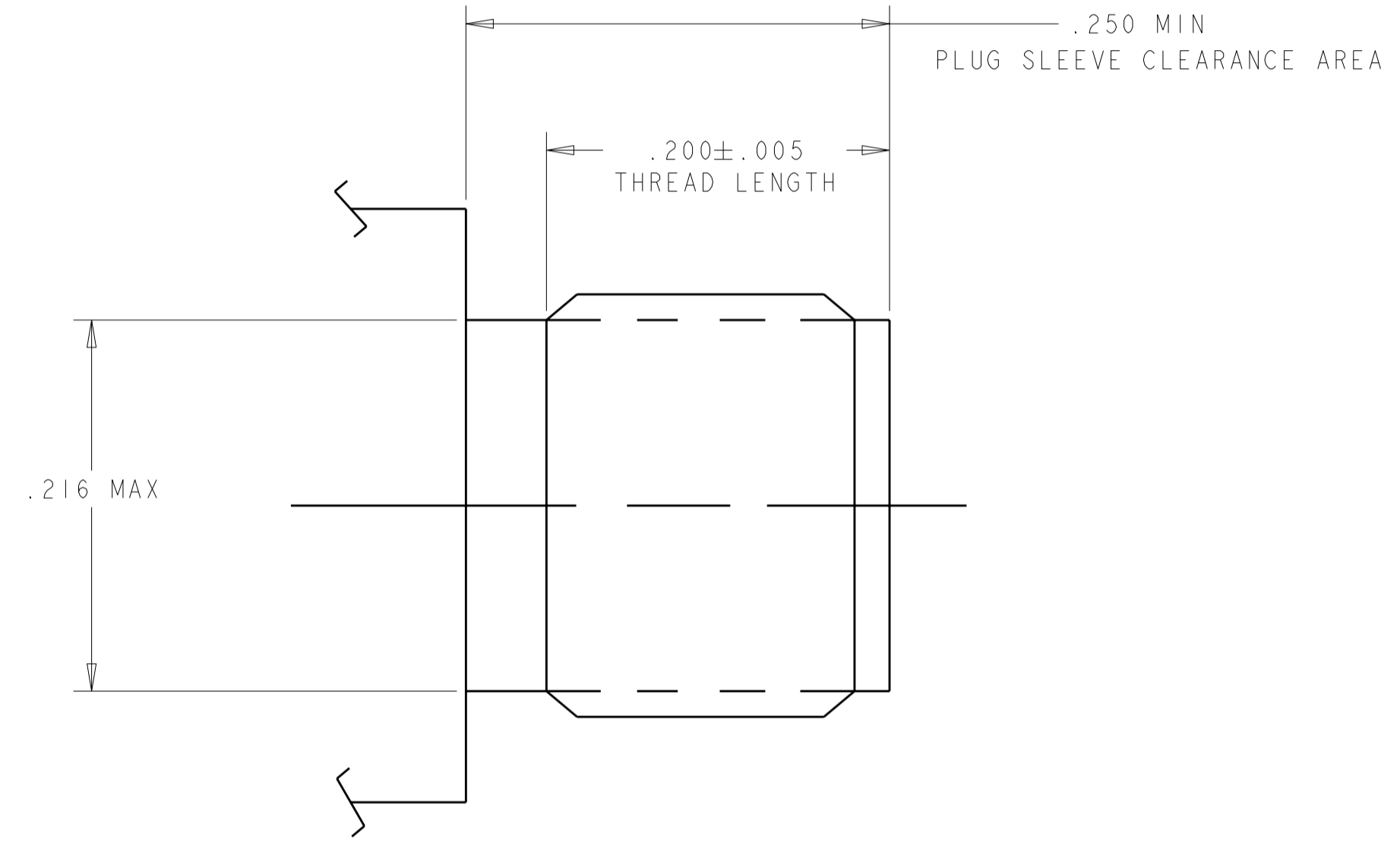
3

2

1

THIS DRAWING IS UNPUBLISHED. RELEASED FOR PUBLICATION 20
 © COPYRIGHT 20 BY TYCO ELECTRONICS CORPORATION. ALL RIGHTS RESERVED.

LOC	DIST	REVISIONS			
P	LTR	DESCRIPTION	DATE	DWN	APVD
-	-	SEE SHEET 1	-	-	-



- 7. SMA JACKS MATED TO TYCO SMA LOCKING PLUGS SHALL MEET THE REQUIREMENTS INDICATED. ALL OTHER SMA JACK INTERFACE DIMENSIONS SHALL CONFORM TO MIL-MIG STD-348.
- 8. PRODUCT IS DESIGNED AND QUALIFIED TO MATE WITH GOLD PLATED SMA JACKS.

<small>THIS DRAWING IS A CONTROLLED DOCUMENT FOR TYCO ELECTRONICS CORPORATION. IT IS SUBJECT TO CHANGE AND THE CONTROLLING ENGINEERING ORGANIZATION SHOULD BE CONTACTED FOR THE LATEST REVISION.</small>		DWN D. WALLACE 01MAY2007 CHK K. WEIDNER 01MAY2007 APVD K. WEIDNER 01MAY2007	Tyco Electronics Harrisburg, PA 17105-3608
DIMENSIONS: INCHES	TOLERANCES UNLESS OTHERWISE SPECIFIED: 0 PLC ± 1 PLC ± 2 PLC ± 3 PLC ±.010 4 PLC ± ANGLES ±° FINISH	PRODUCT SPEC 108-2268 APPLICATION SPEC - WEIGHT -	NAME SMA LOCKING PUSH ON CABLE PLUG SIZE CAGE CODE DRAWING NO RESTRICTED TO A200779C-1408541 -
MATERIAL -		CUSTOMER DRAWING	
		SCALE 1:1	SHEET 2 OF 2 REV A